

# Harlequin Education Packs

## Does your school teach or perform dance, or offer dance exams?

The right dance floor is essential for your students, not only to achieve their best performances, but also for their safety.

Without a purpose-designed dance floor, there is higher risk to health through injury from falling or muscle strain. There is a duty to provide a safe teaching environment and, as with any other subject or activity, it is important to have the right equipment to achieve good results, safely.

Harlequin's Education Packs are ideal where there is no dedicated space for dance. For example, if dance takes place in the school gym or dining hall. Education Packs B and C comply with the recommended minimum area for A level work.



# Harlequin Education Pack 'A'

**Harlequin Reversible is a double-sided vinyl floor that is suitable for both dance and stage. Ideal for infant, junior and lower schools needing a roll out floor for dance lessons and performances.**

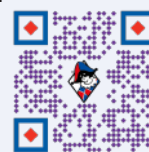
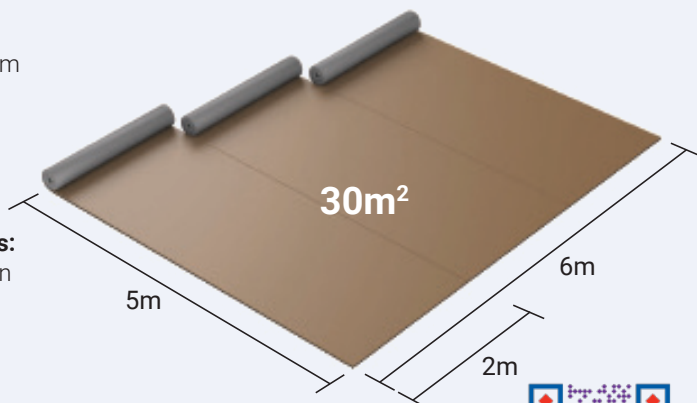
- Different colour on both sides,
- 7 colour combinations to choose from
- Rolls out quickly and lays flat
- Stores away easily
- Lightweight yet hardwearing
- Slip-resistant surface

## Harlequin Education Pack 'A' comprises:

- 3 lengths of 5m x 2m width Harlequin Reversible, to provide a 30m<sup>2</sup> (equal to 5m x 6m) dance area
- 10 rolls of clear tape
- 2 Harlequin Roll Straps
- 1 Harlequin Roll Storage Bag
- Teacher's education pack notes

**Pack 'A' price £730.00 + VAT**

(You save £97.14 + VAT on the standard price of separate items)



Roll storage bag



Roll with straps



Harlequin Reversible colour choices apply to packs A, B and D.

White-Black



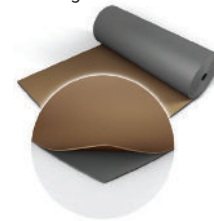
Grey-Black



Light Grey-Dark Grey



Tan-Fog



Beige-Hazelnut

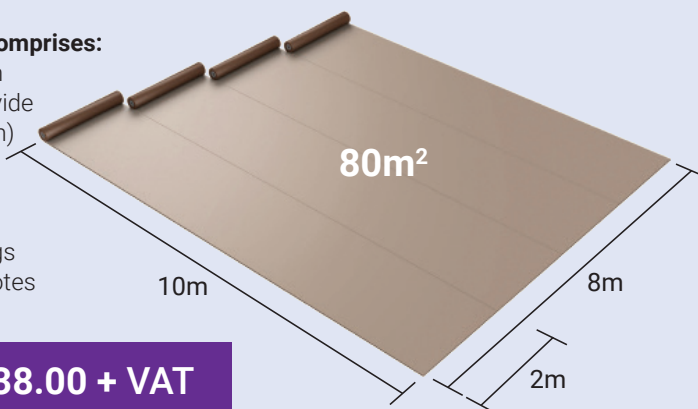


# Harlequin Education Pack 'B'

**Ideal for secondary schools offering A level dance or performing arts, pack B contains a larger quantity of Harlequin Reversible to comply with the recommended minimum dance area of 10m x 7.5m.**

## Harlequin Education Pack 'B' comprises:

- 4 lengths of 10m x 2m width Harlequin Reversible, to provide an 80m<sup>2</sup> (equal to 10m x 8m) dance area
- 18 rolls of clear tape
- 8 Harlequin Roll Straps
- 4 Harlequin Roll Storage Bags
- Teacher's education pack notes



**Pack 'B' price £1,738.00 + VAT**

(You save £333.96 + VAT on the standard price of separate items)

\*Prices include delivery to UK mainland but are subject to VAT at the current rate. For deliveries to Northern Ireland, Scottish Highlands and offshore islands, please contact us for additional delivery cost.

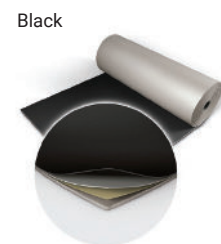
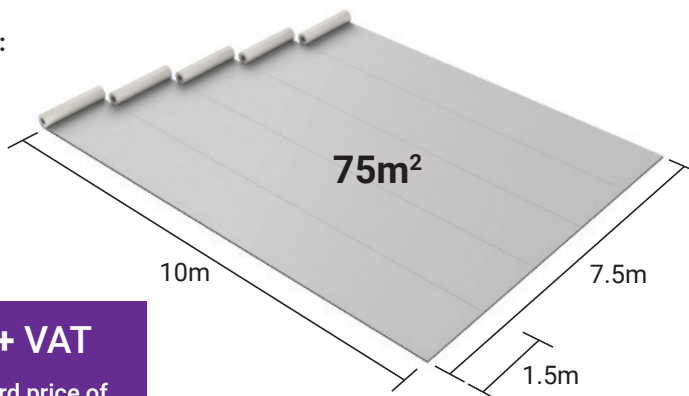
# Harlequin Education Pack 'C'

Designed to meet the needs of dancers requiring a cushioned backing, Harlequin Studio is ideal for secondary schools looking for a hardwearing floor suitable for dance and stage use. Complies with the recommended minimum dance area of 10m x 7.5m for A level work.

- Lightweight but with a firm foam backing to protect against hard sub-floors
- Slip-resistant surface
- Lays flat and stays firmly in place when rolled out

**Harlequin Education Pack 'C' comprises:**

- 5 lengths of 10m x 1.5m width Harlequin Studio, to provide a 75m<sup>2</sup> (equal to 10m x 7.5m) dance area
- 18 rolls of clear tape
- 10 Harlequin Roll Straps (2 per roll)
- 5 Harlequin Roll Storage Bags
- Teacher's education pack notes



**Pack 'C' price £3,051.00 + VAT**

(You save £502.15 + VAT on the standard price of separate items)

# Harlequin Education Pack 'D'

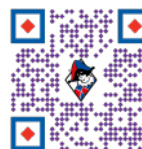
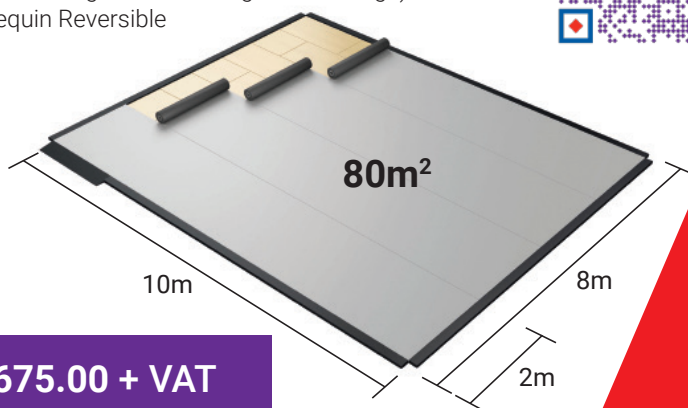
A professional Harlequin Liberty sprung floor composed of sprung panels which lock together with a unique latching system together with a Harlequin Reversible top surface, makes Pack D ideal for a dance studio, rehearsal room or stage floor.

- Liberty panels provide consistent shock absorption, which reduces injury risk and enhances performance.
- Used in conjunction with Harlequin Reversible, providing a professional sprung dance floor, endorsed by many of the world's leading dance companies.



**Harlequin Education Pack 'D' provides a sprung dance area of 80m<sup>2</sup> excluding edge trim and ramp (10m x 8m) comprising:**

- 36 full size Harlequin Liberty panels (2m x 1m, 25kg each)
- 8 half size Liberty panels (1m x 1m, 12.5kg each)
- 17 long edge trims
- 1 long ramp (can be positioned along either the long or short edge)
- 4 lengths of 10m x 2m Harlequin Reversible
- 18 rolls clear tape
- 8 Harlequin Roll Straps (2 per roll)
- 4 Harlequin Roll Storage Bags
- Teacher's education pack notes



**OPTIONAL EXTRA - HARLEQUIN LIBERTY PANEL STORAGE CARTS**

Storage carts allow for safe storage and easy handling of Harlequin Liberty panels, edge trims and ramps.

**2 x Liberty Panel Carts**  
**£2,107.62 + VAT\***  
 Saving you £234.18 + VAT\*



**Pack 'D' price £11,675.00 + VAT**

(You save £1,372.25 + VAT on the standard price of separate items)

\*Prices include delivery on a 2-3 day service to UK mainland but are subject to VAT at the current rate. For deliveries to Northern Ireland, Scottish Highlands and offshore islands, please contact us for additional delivery cost.

(\*\*When purchased with Pack 'D')



# You may also be interested in the following items from Harlequin floors.



Small barre

## Single and double wall-mounted and freestanding ballet barres

A comfortable and sturdy barre is essential for warm-up and stretching exercises. Harlequin's extensive range features wall-mounted barres with a variety of single or double bracket designs as well as professional studio quality freestanding barres.



Medium barre



Single bracket black



Double bracket black



Large barre

## Dance floor care

Although Harlequin floors are durable and long-lasting, we recommend the use of specially formulated floor cleaning, dressing and maintaining products which are available directly from Harlequin or via the Harlequin Shop. We also offer complete Starter Packs containing special mops and tools for application of our floor care products.



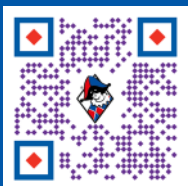
## Adhesive tapes

Education packs are supplied with enough tape to last you for a while. Additional rolls of adhesive tape can be purchased directly from Harlequin or via our online shop. The range includes single-sided clear or black PVC tape, colour match cloth gaffer tape, shiny black or double-sided tape.



## Harlequin sprung floor systems

Where a dedicated space is available for dance and or drama, Harlequin can offer a range of portable or permanent sprung floors. Our Contracts Department can plan and install floors to fit your space and budget and our experienced sales team is on hand to give advice and price quotations. Please contact us for more information.



Education Packs, ballet barres, tape and cleaning materials are all available online from the Harlequin Shop.

If you would like further information contact us:  
01892 514 888 or [enquiries@harlequinfloors.com](mailto:enquiries@harlequinfloors.com)



**HARLEQUIN**  
[www.harlequinfloors.com](http://www.harlequinfloors.com)